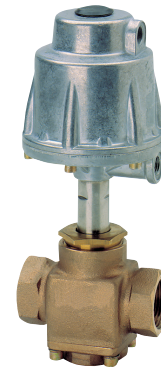


83250

2/2-way seat valves

- Port size:
DN 15 ... 50, G1/2 ... 2
- Suitable for steam
- Can be used as
Y-pattern/selector valve
(pressure connected to A)
- High flow rate
- International approvals



Technical features

Medium:
Neutral gases and liquids

Pilot fluid:
Neutral gases max. +60°C
(+140°F)

Switching function:
Normally closed from P to A,
opened from P to A
by pilot pressure

Operation:
Pressure actuated
by external fluid

Mounting position:
Optional

Flow direction:
Determined

Port size:
G1/2, G3/4, G1,
G1 1/4, G1 1/2, G2

Pilot connection:
G1/4

Operating pressure:
0 ... 10/16 bar (0 ... 145/232 psi)

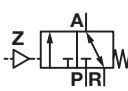
Pilot pressure:
5,5 ... 7 bar (80 ... 98 psi)

Fluid temperature:
-10 ... +180°C (+14 ... +356°F)

Ambient temperature:
max. +60°C (+140°F)

Material:
Process fluid characteristics:
Body: Gun metal
Seat seal: PTFE
Internal parts: Stainless steel,
Brass
Spindle sealing: PTFE / EPDM
Pilot fluid characteristics:
Body: Aluminium
Seal: NBR
Internal parts: Brass, Stainless
steel

Technical data – standard models

| Symbol | Port size | Orifice | Flow kv value *1) | Flow kv value *1) | Operating pressure *2) | | Weight | Model |
|---|-----------|---------|-------------------|-------------------|------------------------|-----------|--------|--------------------|
| | | (mm) | Way P>A (m³/h) | Way A>R (m³/h) | (bar) | (psi) | | |
|  | G1/2 | 15 | 5,8 | 3 | 0 ... 16 | 0 ... 232 | 1,6 | 8325200.0000.00000 |
| | G3/4 | 20 | 11,5 | 7 | 0 ... 16 | 0 ... 232 | 1,8 | 8325300.0000.00000 |
| | G1 | 25 | 18 | 12,5 | 0 ... 10 | 0 ... 145 | 2,1 | 8325400.0000.00000 |
| | G1 1/4 | 32 | 25 | 15 | 0 ... 16 | 0 ... 232 | 6,6 | 8325500.0000.00000 |
| | G1 1/2 | 40 | 39 | 27 | 0 ... 14 | 0 ... 203 | 6,8 | 8325600.0000.00000 |
| | G2 | 50 | 64 | 43 | 0 ... 10 | 0 ... 145 | 7,9 | 8325700.0000.00000 |

*1) Cv-value (US) ≈ kv value x 1,2

*2) For gases and liquid fluids up to 400 mm²/s (cSt)

Option selector

8325***.0000.00000

| Port size | Substitute |
|-----------|------------|
| 1/2 | 2 |
| 3/4 | 3 |
| 1 | 4 |
| 1 1/4 | 5 |
| 1 1/2 | 6 |
| 2 | 7 |

| Valve options | Substitute |
|---|------------|
| Electrical position indicator a.c./d.c. | 57 |
| Electrical position indicator only d.c. max. 30 V | 58 |
| Electrical position indicator EEx de IIC T6 | 64 |

3/2-way pilot valve


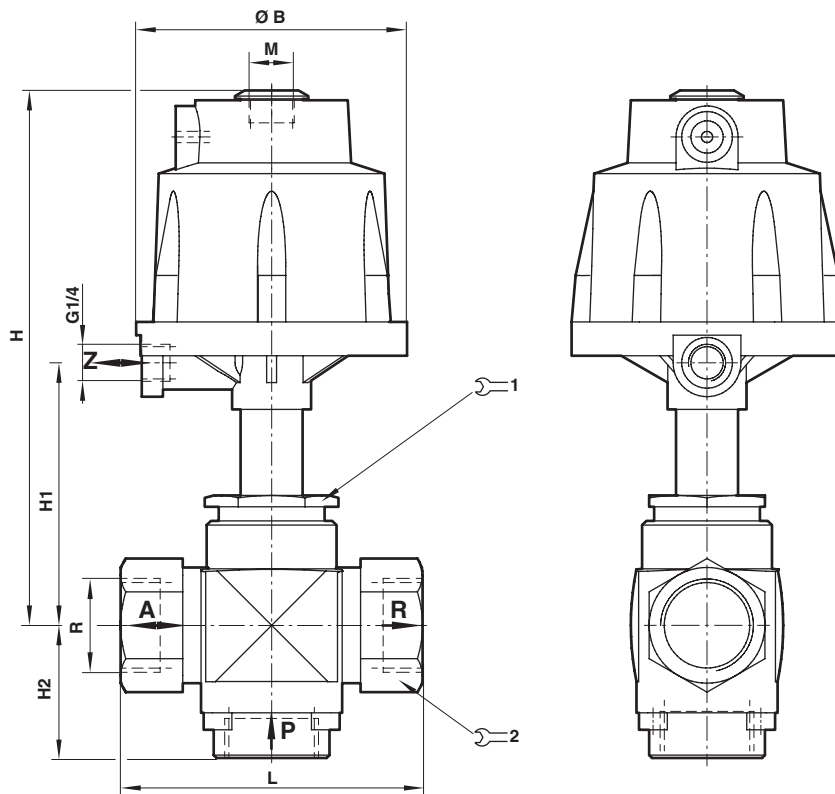
An electrical solenoid valve can be attached at the pilot connection Z.

| Required parts | Model |
|------------------------|---------------------------|
| 3/2-way solenoid valve | 8466000.9101.xxxxx (d.c.) |
| | 8466000.9101.xxxxx (a.c.) |

Further versions on request!

Dimensions
G1/2 ... 2

Dimensions in mm
Projection/first angle

| Port size R | ø B | H | H1 | H2 | L | M | 1 | 2 | Model |
|-------------|-----|-----|-----|----|-----|-----------|----|----|--------------------|
| G1/2 | 96 | 186 | 88 | 41 | 75 | M16 x 1 | 36 | 27 | 8325200.0000.00000 |
| G3/4 | 96 | 190 | 92 | 46 | 87 | M16 x 1 | 36 | 32 | 8325300.0000.00000 |
| G1 | 96 | 190 | 92 | 47 | 107 | M16 x 1 | 41 | 41 | 8325400.0000.00000 |
| G1 1/4 | 164 | 269 | 125 | 66 | 123 | M22 x 1,5 | 55 | 50 | 8325500.0000.00000 |
| G1 1/2 | 164 | 269 | 125 | 68 | 147 | M22 x 1,5 | 55 | 58 | 8325600.0000.00000 |
| G2 | 164 | 273 | 129 | 74 | 171 | M22 x 1,5 | 55 | 70 | 8325700.0000.00000 |

Note to Pressure Equipment Directive (PED):

The valves of this series up to and including DN 25 (G1) are according to Art. 4 § 3 of the Pressure Equipment Directive (PED) 2014/68/EU. This means interpretation and production are in accordance to engineers practice wellknown in the member countries. The CE-sign at the valve does not refer to the PED. Thus the declaration of conformity is not longer applicable for this directive.

For valves > DN 25 (G1) Art. 4 § (1) Letter d) applies:

The basic requirements of the Enclosure I of the PED must be fulfilled. The CE-sign at the valve includes the PED. A certificate of conformity of this directive will be available on request.

Note to Electromagnetic Compatibility Guideline (EEC):

The valves shall be provided with an electrical circuit which ensures the limits of the harmonised standards EN 61000-6-3 and EN 61000-6-1 are observed, and hence the requirements of the Electromagnetic Compatibility Guideline (2014/30/EU) satisfied.

Note to EAC marking:

The EAC-marked products comply with the applicable requirements stated in the technical regulations of the Eurasian Economic Union.