

84720/84730 2/2-way seat valves



- Port size: DN 15 ... 25, 1/2 ... 1 (ISO G/NPT)
- Optical position indicator is standard
- Damped closing (Valves closes against flow direction)
- Suitable for contaminated flow fluid
- Suitable for vacuum up to max. 90%
- Reversed flow direction optional
- High flow rate
- Option pressure actuated by external liquid fluid

Technical features

Medium:
Neutral gases and liquids

Pilot fluid:
Neutral gases max. +60°C (+140°F)

Switching function:
Normally closed

Operation:
Pressure actuated by external fluid

Mounting position:
Optional

Flow direction:
Determined

Port size:
G1/2, G3/4, G1, G1 1/2, G1 1/2, 3/4 NPT, 1 NPT

Pilot connection:
G1/4 or 1/4 NPT

Operating pressure:
See table

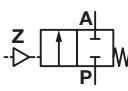
Pilot pressure:
3,5 ... 10 bar (51 ... 145 psi)

Fluid temperature:
-10° ... +180°C (+14° ... +356°F)

Ambient temperature:
-10° ... +60°C (+32° ... +140°F)

Material:
Process fluid characteristics:
Body: Dezincification brass (CW602N)
Seat seal: PTFE
Internal parts: Brass, Stainless steel
Spindle sealing: PTFE / FPM; self-adjustable
Pilot fluid characteristics:
Body: Polyamid 66 with glass fibre 30%
Seat Seals: NBR
Internal parts: Brass, Stainless steel

Technical data – standard models

| Symbol | Port size | Orifice (mm) | Flow kv value *1) (m³/h) | Operating pressure *2) (bar) | Weight *3) (kg) | Model *3) |
|-------------------------------------------------------------------------------------|-----------|--------------|--------------------------|------------------------------|-----------------|--------------------|
|  | G1/2 | 15 | 4,8 | 0 ... 16 | 1,3 | 8472200.0000.00000 |
| | 1/2 NPT | 15 | 4,8 | 0 ... 16 | 1,3 | 8473200.0000.00000 |
| | G3/4 | 20 | 10 | 0 ... 8 | 1,4 | 8472300.0000.00000 |
| | 3/4 NPT | 20 | 10 | 0 ... 8 | 1,4 | 8473300.0000.00000 |
| | G1 | 25 | 14 | 0 ... 5 | 1,7 | 8472400.0000.00000 |
| | 1 NPT | 25 | 14 | 0 ... 5 | 1,7 | 8473400.0000.00000 |

*1) Cv-value (US) ≈ kv value x 1,2

*2) For gases and liquid fluids up to 600 mm²/s (cSt)

*3) Without pilot valve

Option selector

847****.0000.00000

| Thread form | Substitute |
|-------------|------------|
| ISO G | 2 |
| NPT | 3 |
| Port size | Substitute |
| 1/2" | 2 |
| 3/4" | 3 |
| 1" | 4 |

| Valve options | Substitute |
|-------------------------------------------------------------------------------------------------------------------------------------------|------------|
| Normally open (NO), closes with pilot pressure and opens with spring force (pilot pressure 1 ... 10 bar) | 01 |
| Double acting, 4/2 or 5/2-way-pilot valve required | 02 |
| Electrical position indicator with 2 micro-switches protection class IP67, LED, 2 m cabel LifYY 2 x 0,25 qmm Type: NAMUR DIN EN 60947-5-6 | 23 |
| NAMUR interface plate | 50 |

Notes

for 3/2-way pilot valve 84660 / 84680

| | |
|-------------------------|----------------------------|
| Material | Body Aluminium |
| Pilot fluid temperature | max. +60°C |
| Pilot pressure | 1 ... 10 bar |
| Standard voltages | 24 V DC, 24 V AC, 230 V AC |

Notes

for 5/2-way pilot vale 97100 hole pattern NAMUR

| | |
|-------------------------|--------------------------------|
| Material | Body Aluminium elox |
| Pilot fluid temperature | -10 ... +50°C (+14 ... +122°F) |
| Pilot pressure | 2 ... 8 bar |
| Standard voltages | 24 V DC, 24 V AC, 230 V AC |

Electrical Data

for 3/2-way pilot valve 84660 / 84680

| | |
|------------------|---------------------------------------------|
| Design acc. to | DIN VDE 0580 |
| Voltage range | ±10% |
| Duty cycle | 100% ED |
| Protection class | EN 60529 IP65 with mounted socket |
| Socket | Form A acc. to DIN EN 175301-803 (included) |
| Technical data | See publication N/en 5.8.640 |

Further versions on request!

Electrical Data

for 5/2-way pilot valve 97100 hole pattern NAMUR

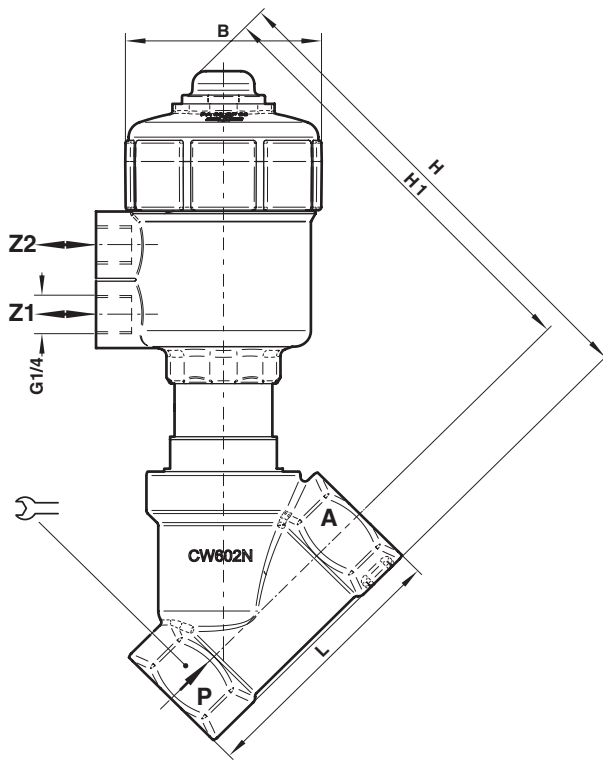
| | |
|------------------|---------------------------------------------|
| Design acc. to | DIN VDE 0580 |
| Voltage range | ±10% |
| Duty cycle | 100% ED |
| Protection class | EN 60529 IP65 with mounted socket |
| Socket | Form A acc. to DIN EN 175301-803 (included) |
| Technical data | See publication N/en 5.4.372 |

Mounting accessories (NAMUR)

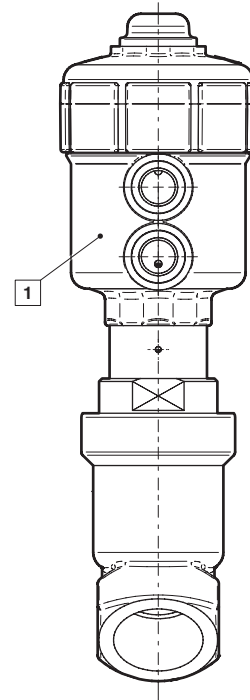
Interface plate NAMUR hole pattern for retrofit (Part-Number 1256566) consist of:
1x NAMUR-interface plate; 2x Adapter screw; 2x O-ring

Dimensions

G1/2 ... 1
1/2 ... 1 NPT



Dimensions in mm
Projection/first angle



| Port size | B | H | H1 | L | | Model |
|-----------|----|-----|-------|----|----|--------------------|
| G1/2 | 66 | 154 | 140,5 | 65 | 27 | 8472200.0000.00000 |
| 1/2 NPT | 66 | 154 | 140,5 | 65 | 27 | 8473200.0000.00000 |
| G3/4 | 66 | 160 | 144,5 | 75 | 32 | 8472300.0000.00000 |
| 3/4 NPT | 66 | 160 | 144,5 | 75 | 32 | 8473300.0000.00000 |
| G1 | 66 | 171 | 150,5 | 90 | 41 | 8472400.0000.00000 |
| 1 NPT | 66 | 171 | 150,5 | 90 | 41 | 8473400.0000.00000 |

Note to Pressure Equipment Directive (PED):

The valves of this series up to and including DN 25 (G1) are according to Art. 4 § 3 of the Pressure Equipment Directive (PED) 2014/68/EU. This means interpretation and production are in accordance to engineers practice wellknown in the member countries. The CE-sign at the valve does not refer to the PED. Thus the declaration of conformity is not longer applicable for this directive.

For valves > DN 25 (G1) Art. 4 § (1) Letter d) applies:

The basic requirements of the Enclosure I of the PED must be fulfilled. The CE-sign at the valve includes the PED. A certificate of conformity of this directive will be available on request.

Note to Electromagnetic Compatibility Guideline (EEC):

The valves shall be provided with an electrical circuit which ensures the limits of the harmonised standards EN 61000-6-3 and EN 61000-6-1 are observed, and hence the requirements of the Electromagnetic Compatibility Guideline (2014/30/EU) satisfied.

Note to EAC marking:

The EAC-marked products comply with the applicable requirements stated in the technical regulations of the Eurasian Economic Union.