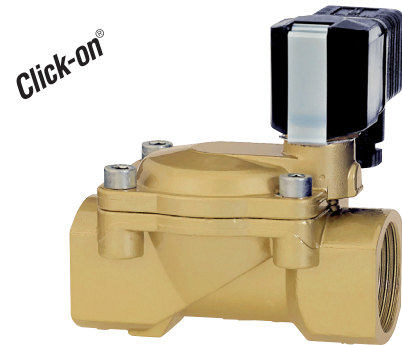


82470/82680 2/2-way diaphragm valves

- Port size: DN 8 ... 25, 1/4 ... 1 (ISO G/NPT)
- High flow rate
- Damped operation
- Functional compact design
- Solenoid interchangeable without tools (Click-on®)
- International approvals



Technical features

Medium:

Hot water, Steam

Switching function:

Normally closed

Operation:

Indirectly solenoid actuated

Mountin:

Optional, preferably solenoid vertical on top

Flow direction:

Determined

Port size:

G1/4, G3/8, G1/2, G3/4, G1, 1/4 NPT, 3/8 NPT, 1/2 NPT, 3/4 NPT, 1 NPT

Operating pressure:

0,1 ... 10 bar (1,45 ... 145 psi)

Differential pressure:

0,1 bar (1,45 psi) required

Fluid temperature:

0° ... +150°C (+32° ... 302°F)

Ambient temperature:

-10° ... +60°C (+14° ... +140°F)

Materials:

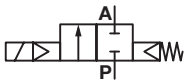
Body: Brass (CW617N)

Seat seal: HNBR

Internal parts: Stainless steel, Brass

For contaminated fluids insertion of a strainer is recommended.

Technical data – standard modelsg

Symbol	Port size	Orifice (mm)	Valve length (mm)	Flow kv value *1) (m³/h)	Operating pressure *2)		Weight (kg)	Model
					(bar)	(psi)		
	G1/4	8	60	1,7	0,1 ... 10	1,45 ... 145	0,47	8247000.9101.xxxxx
	1/4 NPT	8	60	1,7	0,1 ... 10	1,45 ... 145	0,47	8268000.9101.xxxxx
	G3/8	10	60	2,7	0,1 ... 10	1,45 ... 145	0,45	8247100.9101.xxxxx
	3/8 NPT	10	60	2,7	0,1 ... 10	1,45 ... 145	0,45	8268100.9101.xxxxx
	G1/2	12	67	3,4	0,1 ... 10	1,45 ... 145	0,5	8247200.9101.xxxxx
	1/2 NPT	12	67	3,4	0,1 ... 10	1,45 ... 145	0,5	8268200.9101.xxxxx
	G3/4	20	80	5,5	0,1 ... 10	1,45 ... 145	0,65	8247300.9101.xxxxx
	3/4 NPT	20	80	5,5	0,1 ... 10	1,45 ... 145	0,65	8268300.9101.xxxxx
	G1	25	95	8,5	0,1 ... 10	1,45 ... 145	0,95	8247400.9101.xxxxx
	1 NPT	25	95	8,5	0,1 ... 10	1,45 ... 145	0,95	8268400x9101.xxxxx

xxxxx Please insert voltage and frequency codes

*1) Cv-value (US) ≈ kv value x 1,2

*2) For gases and liquid fluids up to 25 mm²/s (cSt)

Option selector

82*****.*****

Thread form	Substitute
ISO G	47
NPT	68
Port size	Substitute
1/4	0
3/8	1
1/2	2
3/4	3
1	4
Valve options	Substitute
Normally open (NO)	01

Frequency	Substitute
See table frequency codes	xx
Voltage	Substitute
See table voltage codes	xxx
Solenoid options	Substitute
G1/4 ... 1	9101
Operating pressure	
0,1 ... 10 bar (1,45 ... 145 psi)	

Standard solenoid systems

Spannung und Frequenz Magnet 9101 *3)					
Code Voltage	Code Frequency	Voltage	Frequency	Power consumption	
				Inrush	Holding
024	00	24 V d.c.	-	8 W	8 W
024	50	24 V a.c.	50 Hz	15 VA	12 VA
110	50	110 V a.c.	50 Hz	15 VA	12 VA
120	60	120 V a.c.	60 Hz	15 VA	12 VA
230	50	230 V a.c.	50 Hz	15 VA	12 VA

Electrical details for all solenoid systems

Design	DIN VDE 0580
Voltage range	±10%
Duty cycle	100% ED
Protection class	EN 60529 IP65
Socket	Form A acc. to DIN EN 175301-803 (included)

According to DIN VDE 0580 at a solenoid temperature of +20°C.
At operating state temperature the input power of a coil decreases by up to ca. 30% due to physical reasons.

*2) _{US} only

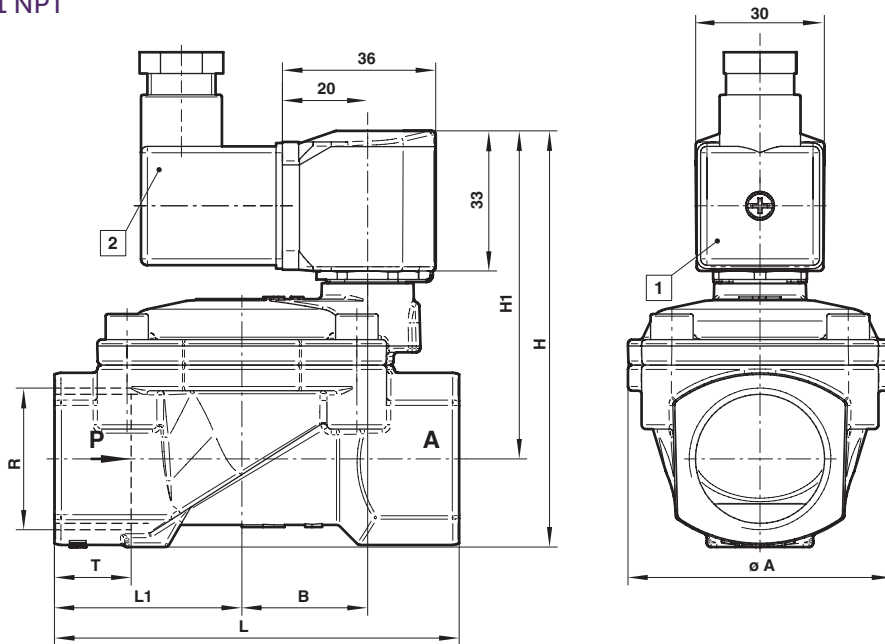
Further versions on request!

Dimensions

G1/4 ... 1

1/4 ... 1 NPT

Dimensions in mm
Projection/first angle



- 1 Solenoid rotatable 360°
- 2 Socket turnable 4 x 90°
(Socket included)

Port size R	A	B	H	H1	L	L1	T	Model
G1/4	44	19,5	78,5	67	60	27,5	12	8247000.9101.xxxxx
1/4 NPT	44	19,5	78,5	67	60	27,5	10	8268000.9101.xxxxx
G3/8	44	19,5	78,5	67	60	27,5	12	8247100.9101.xxxxx
3/8 NPT	44	19,5	78,5	67	60	27,5	10,5	8268100.9101.xxxxx
G1/2	44	19,5	81	67	67	31	14	8247200.9101.xxxxx
1/2 NPT	44	19,5	81	67	67	31	13,5	8268200.9101.xxxxx
G3/4	50	24	88	71,5	80	36,5	16	8247300.9101.xxxxx
3/4 NPT	50	24	88	71,5	80	36,5	14	8268300.9101.xxxxx
G1	62	29,5	97,5	77	95	44	18	8247400.9101.xxxxx
1 NPT	62	29,5	97,5	77	95	44	17	8268400.9101.xxxxx

Note to Pressure Equipment Directive (PED):

The valves of this series up to and including DN 25 (G1) are according to Art. 4 § 3 of the Pressure Equipment Directive (PED) 2014/68/EU. This means interpretation and production are in accordance to engineers practice wellknown in the member countries. The CE-sign at the valve does not refer to the PED. Thus the declaration of conformity is not longer applicable for this directive.

For valves > DN 25 (G1) Art. 4 § (1) Letter d) applies:

The basic requirements of the Enclosure I of the PED must be fulfilled. The CE-sign at the valve includes the PED. A certificate of conformity of this directive will be available on request.

Note to Electromagnetic Compatibility Guideline (EEC):

The valves shall be provided with an electrical circuit which ensures the limits of the harmonised standards EN 61000-6-3 and EN 61000-6-1 are observed, and hence the requirements of the Electromagnetic Compatibility Guideline (2014/30/EU) satisfield.

Note to EAC marking:

The EAC-marked products comply with the applicable requirements stated in the technical regulations of the Eurasian Economic Union.