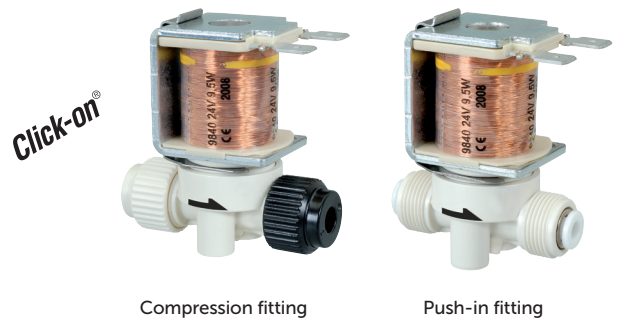


# 83150 2/2-way seat valves

- Port size: DN 2,5 ... 4,5
- High flow rate
- Functional compact design
- Solenoid interchangeable without tools (Click-on®)
- Valve operates without differential pressure
- Good corrosion resistance
- Increased service life > low maintenance
- International approvals



### Technical features

**Medium:**  
Neutral gases and liquids

**Switching function:**  
Normally closed

**Version:**  
Directly solenoid actuated

**Mounting position:**  
Optional, preferably solenoid vertical on top

**Flow direction:**  
Determined

**Port size:**  
- Standard  $\varnothing$  6 mm (O/D 6 mm, I/D 4 mm)  
- Optional  $\varnothing$  8 mm PIF (compression fitting) (O/D 8 mm, I/D 6 mm)  
- Optional  $\varnothing$  4 mm PIF (Tube push-in fitting) (O/D 4 mm, I/D 2 mm)  
OD tube tolerance  $\pm$  0,1 mm

**Operating pressure:**  
0 ... 12 bar (+32 ... 174 psi)

**Ambient temperature:**  
0° ... +50°C (+32 ... +122°F)

**Fluid temperature:**  
0° ... +125°C (+32 ... +257°F)

**Material:**  
Body: PPSU (Polyphenylsulfon)  
Seat seal: EPDM  
Internal parts: Stainless steel

**Components made of PPSU do not come into contact with the following media:**  
acetone, ether, ketones, aromatic hydrocarbons, chlorinated hydrocarbons, oxidising acids and anaerobic adhesives

### Technical data – standard models

Symbol	Port size	Orifice (mm)	Flow kv value *1) (m³/h)	Operating pressure *2)				Solenoid				Weight *3) (kg)	Model
				9846 (bar)	9830 (psi)	9837 (bar)	9897 (psi)	9846 (bar)	9830 (psi)	9837 (bar)	9897 (psi)		
	6/4	2,5	0,15	12	174	12	174	4	58	4	58	0,17	8315000.98xx.xxxxx
	6/4	3,5	0,18	4	58	4	58	-	-	-	-	0,17	8315001.98xx.xxxxx
	8/6	4,5	0,45	3	43	3	43	-	-	-	-	0,17	8315002.98xx.xxxxx
	6/4	2,5	0,15	4	58	4	58	-	-	-	-	0,17	8315003.98xx.xxxxx
	4 PIF 4*)	2,5	0,15	12	174	12	174	4	58	4	58	0,17	8315020.98xx.xxxxx
	4 PIF 4*)	3,5	0,15	4	58	4	58	-	-	-	-	0,17	8315021.98xx.xxxxx
	4 PIF 4*)	2,5	0,15	4	58	4	58	-	-	-	-	0,17	8315023.98xx.xxxxx

xxxxx Please insert voltage and frequency codes

\*1) Cv-value (US)  $\approx$  kv value x 1,2

\*2) For gases and liquid fluids up to 25 mm²/s (cSt)

\*3) Valve only (without coil)

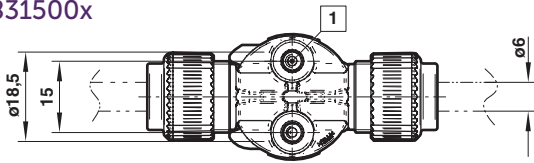
\*4) PIF = Push-in fitting

Valve design No. 00, 01, 03      compression fitting  $\varnothing$  6 mm  
Valve design No. 02              compression fitting  $\varnothing$  8 mm  
Valve design No. 20 ... 23      Push-in fitting  $\varnothing$  4 mm

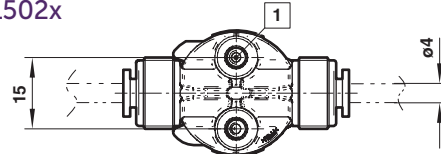


Dimensions

831500x



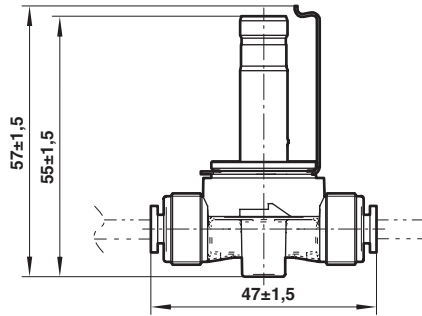
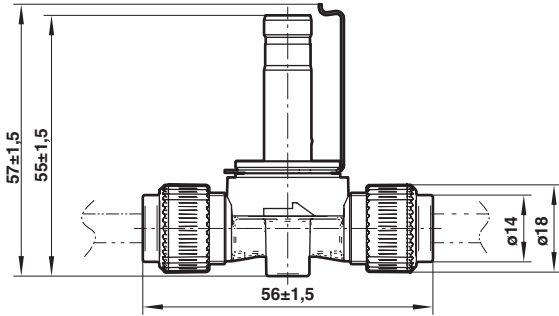
831502x



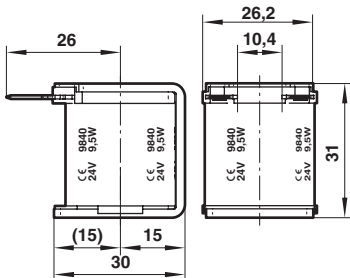
Dimensions in mm  
Projection/first angle



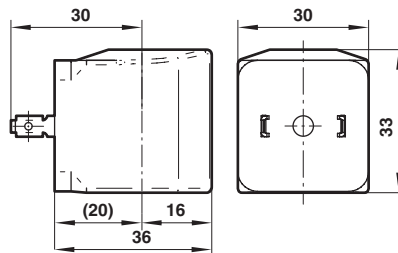
1 Mounting holes  $\varnothing 3,8 \times 9$  mm deep



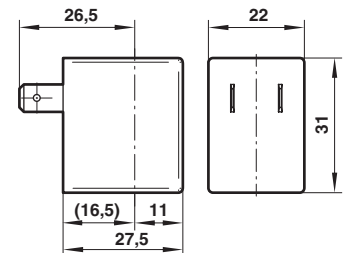
9846.02400



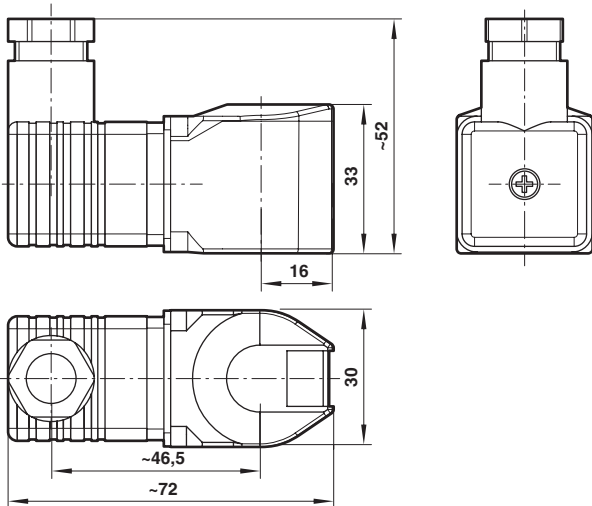
9830.02400



9837.02400



9897.23049



Note to Pressure Equipment Directive (PED):

The valves of this series are according to Art. 4 § 3 of the Pressure Equipment Directive (PED) 2014/68/EU. This means interpretation and production are in accordance to engineers practice wellknown in the member countries. The CE-sign at the valve does not refer to the PED. Thus the declaration of conformity is not longer applicable for this directive.

Note to Electromagnetic Compatibility Guideline (EEC):

The valves shall be provided with an electrical circuit which ensures the limits of the harmonised standards EN 61000-6-3 and EN 61000-6-1 are observed, and hence the requirements of the Electromagnetic Compatibility Guideline (2014/30/EU) satisfield.

Note to EAC marking:

The EAC-marked products comply with the applicable requirements stated in the technical regulations of the Eurasian Economic Union.