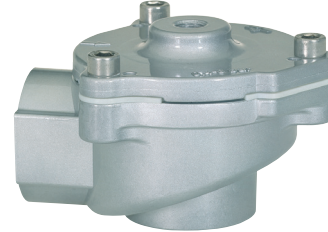


# 82900/82910

## 2/2-way diaphragm valves

- Port size: DN 20 ... 80, G3/4 ... 3 (ISO G/NPT)
- High flow rate
- Clear, compact design
- One-piece diaphragm
- Easy to maintain



### Technical features

**Medium:**  
Air

**Switching function:**  
Normally closed

**Operation:**  
Remote pilot operated

**Flow direction:**  
Determined

**Mounting position:**  
Optional

**Port size:**  
G3/4, G1, G1 1/2, G2, G2 1/2, G3, 3/4 NPT, 1 NPT, 1 1/2 NPT, 2 NPT, 2 1/2 NPT

**Operating pressure:**  
0,4 ... 8 bar (5,8 ... 101,5 psi)

**Pilot connection:**  
G1/8 or 1/8 NPT

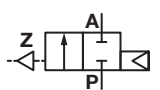
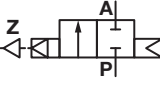
**Dusty gas temperature:**  
–40 ... +85°C (–40 ... +185°F)

**Ambient temperature:**  
–20 ... +85°C (–4 ... +185°F)

**Cleaning gas temperature:**  
–40 ... +85°C (–40 ... +185°F)

**Material:**  
Body: Aluminium  
Seat seal: TPE

### Technical data – standard models

Symbol	Port size	Orifice	Valve length	Flow kv value	Operating pressure		Weight	Model
		(mm)	(mm)	(m <sup>3</sup> /h) *1)	(bar)	(psi)		
	G3/4	20	95	18	0,4 ... 8	5,8 ... 101,5	0,32	8290300.0000.00000
	3/4 NPT	20	95	18	0,4 ... 8	5,8 ... 101,5	0,32	8291300.0000.00000
	G1	25	95	22	0,4 ... 8	5,8 ... 101,5	0,29	8290400.0000.00000
	1 NPT	25	95	22	0,4 ... 8	5,8 ... 101,5	0,29	8291400.0000.00000
	G1 1/2	40	135	59	0,4 ... 8	5,8 ... 101,5	0,97	8290600.0000.00000
	1 1/2 NPT	40	135	59	0,4 ... 8	5,8 ... 101,5	0,97	8291600.0000.00000
	G2	50	170	80	0,4 ... 8	5,8 ... 101,5	1,79	8290700.0000.00000
	2 NPT	50	170	80	0,4 ... 8	5,8 ... 101,5	1,79	8291700.0000.00000
	G2 1/2	65	170	93	0,4 ... 8	5,8 ... 101,5	2,07	8290800.0000.00000
	2 1/2 NPT	65	170	93	0,4 ... 8	5,8 ... 101,5	2,07	8291800.0000.00000
	G3	80	239,5	144	0,4 ... 8	5,8 ... 101,5	3,7	8290900.0000.00000

\*1) Cv-value (US) = kv value x 1,2

### Option selector

829★ ★ ★ ★.0000.00000

Thread form	Substitute
ISO G	0
NPT	1
Port size	Substitute
3/4	3
1	4
1 1/2	6
2	7
2 1/2	8
3 (only ISO G)	9

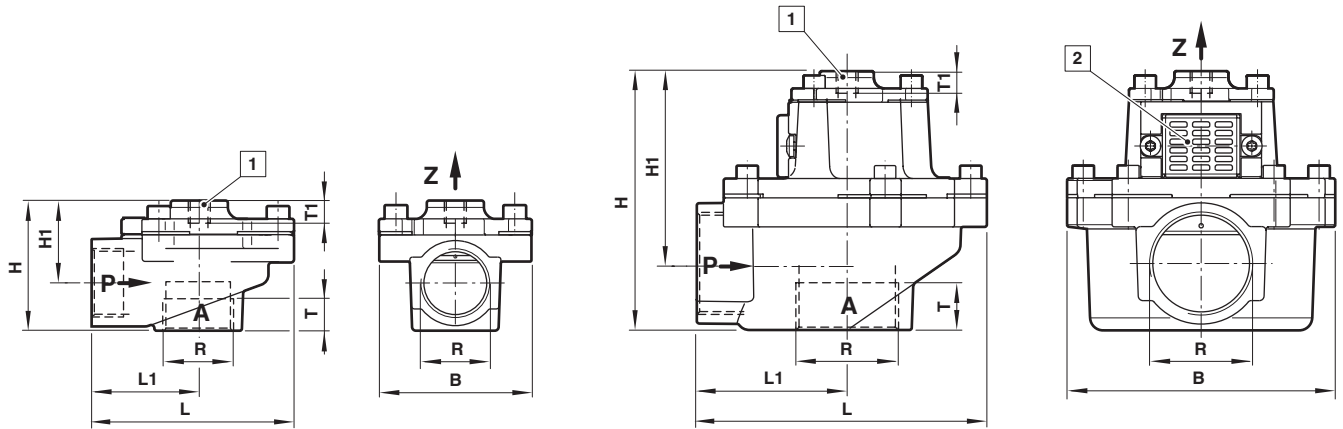
Valve options	Substitute
The resource materials and surfaces are free of silicone	33
Flange version without valve body	54
Dusty gas temperature version -40 ... +100°C (-40 ... +212°F), Seat seal TPE, Ambient temperature -20 ... +85°C (-4 ... +185°F), Cleaning gas temperature -40 ... +85°C (-40 ... +185°F)	62
Dusty gas temperature version -40 ... +140°C (-40 ... +284°F), Seat seal TPE, Ambient temperature -20 ... +85°C (-4 ... +185°F), Cleaning gas temperature -40 ... +85°C (-40 ... +185°F)	63
WEMA-Kor coated	66
Low pressure, 0,1 ... 0,9 bar (1,45 ... 13 psi); Reduced bleed orifice diameter	68
Low temperature version -40...+85°C (-40 ... +185°F), Seat seal TPE, Ambient temperature -40...+85°C (-40 ... +185°F), Cleaning gas temperature -40...+85°C (-40 ... +185°F)	71

## Dimensions

G3/4 ... 1  
3/4 ... 1 NPT

G1 1/2 ... 3  
1 1/2 ... 2 1/2 NPT

Dimensions in mm  
Projection/first angle



- 1 Pilot connection  
G1/8 resp. 1/8 NPT
- 2 Silencer

Port size R	B	H	H1	L	L1	T	T1	Model
G3/4	80	61,5	39	95	50	16	10	8290300.0000.00000
3/4 NPT	80	61,5	39	95	50	14	10	8291300.0000.00000
G1	80	61,5	39	95	50	18	10	8290400.0000.00000
1 NPT	80	61,5	39	95	50	17	10	8291400.0000.00000
G1 1/2	124,5	122	91	135	70	22	10	8290600.0000.00000
1 1/2 NPT	124,5	122	91	135	70	18	10	8291600.0000.00000
G2	140	145	104	170	95	25	10	8290700.0000.00000
2 NPT	140	145	104	170	95	18	10	8291700.0000.00000
G2 1/2	140	160	115	170	95	25	10	8290800.0000.00000
2 1/2 NPT	140	160	115	170	95	24	10	8291800.0000.00000
G3	196	176	123,5	239,5	143	33	10	8290900.0000.00000

### Note to Pressure Equipment Directive (PED):

The valves of this series are according to Art. 4 § 3 of the Pressure Equipment Directive (PED) 2014/68/EU. This means interpretation and production are in accordance to engineers practice well-known in the member countries.

A certificate of conformity is not designated.