

82210

2/2-way seat valves

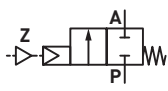
- Port size:
DN 15 ... 100,
Flange PN 16
- High flow rate
- Damped closing
(valve closes against flow direction)
- Suitable for contaminated process fluids
- International approvals



Technical features

<p>Medium: For neutral gaseous and liquid fluids</p> <p>Switching function: Normally closed</p> <p>Operation: Pressure actuated by external fluid</p> <p>Mounting position: Optional, preferably actuator vertical on top</p>	<p>Flow direction: Determined</p> <p>Port size: DN 15, DN 20, DN 25, DN 32, DN 40, DN 50, DN 65, DN 80, DN 100</p> <p>Pilot connection: G1/4</p> <p>Operating pressure: See table</p> <p>Pilot pressure: See table</p>	<p>Fluid temperature: -10° ... +180°C (+14° ... +356°F)</p> <p>Ambient temperature: -10° ... +60°C (+14° ... +140°F)</p>	<p>Material: Body: Spheroidal cast iron (EN-GJS-400-18-LT) Seat seal: PTFE Internal parts: 1.4571, 1.4568, 1.4305, brass</p>
---	---	--	---

Technical data – standard models

Symbol	Orifice (mm)	Flow kv value *1 (m³/h)	Pilot pressure		Operating pressure *2		Weight		Model
			Actuator 1/2 (bar)	Actuator 3/4 (bar)	Actuator 1/2 (bar)	Actuator 3/4 (bar)	Actuator 1/2 (kg)	Actuator 3/4 (kg)	
	15	4,6	5,5 ... 10	–	0 ... 16	–	3,2	–	8221200.0000.00000
	20	8	5,5 ... 10	–	0 ... 16	–	4,1	–	8221300.0000.00000
	25	13	5,5 ... 10	–	0 ... 10	–	4,8	–	8221400.0000.00000
	32	22	4 ... 8	–	0 ... 16	–	10,7	–	8221500.0000.00000
	40	35	4 ... 8	–	0 ... 12	–	11,1	–	8221600.0000.00000
	50	50	5,5 ... 8	5 ... 7	0 ... 10	0 ... 14	14,6	11,5	8221700.0000.00000
	65	90	5,5 ... 8	5 ... 7	0 ... 7	0 ... 14	20	12,7	8221800.0000.00000
	80	127	5,5 ... 8	5,5 ... 7	0 ... 5	0 ... 14	24,4	15,4	8221900.0000.00000
	100	200	5,5 ... 8	5,5 ... 7	0 ... 2,5	0 ... 14	31	23	8222000.0000.00000

*1) Cv-value (US) ≈ kv value x 1,2

*2) For gases and liquid fluids up to 600 mm²/s (cSt)

Option selector

822★ ★ ★ ★.0000.00000

Port size	Substitute
15	12
20	13
25	14
32	15
40	16
50	17
65	18
80	19
100	20

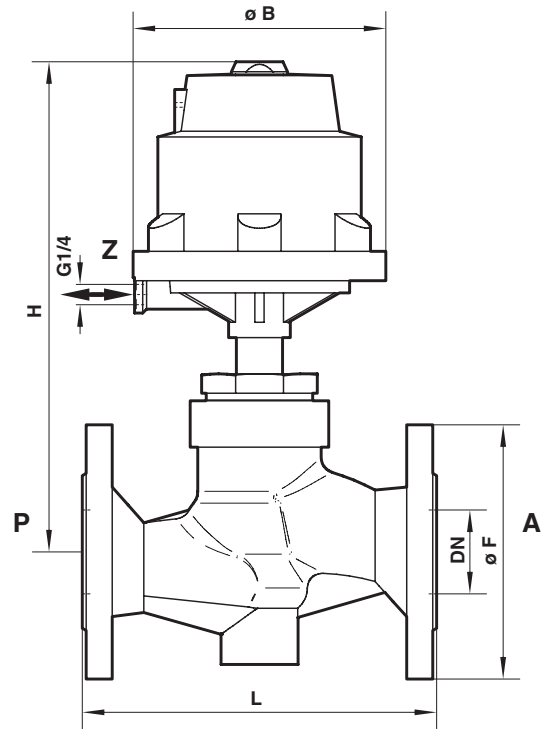
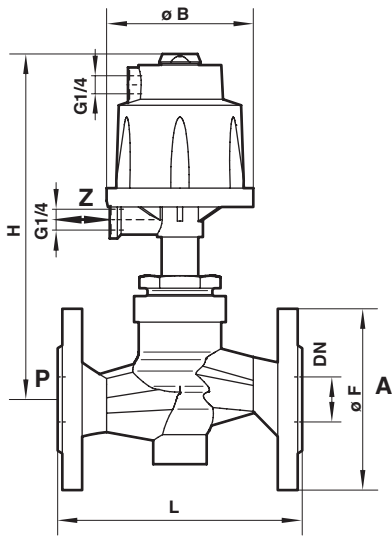
Valve options	Substitute
Normally open (NO)	01
Normally closed (NC) metallic sealing media temperature up to 300°C	95
Normally open (NO) metallic sealing media temperature up to 300°C	96

Dimensions

DN 15 ... 25
Actuator 1

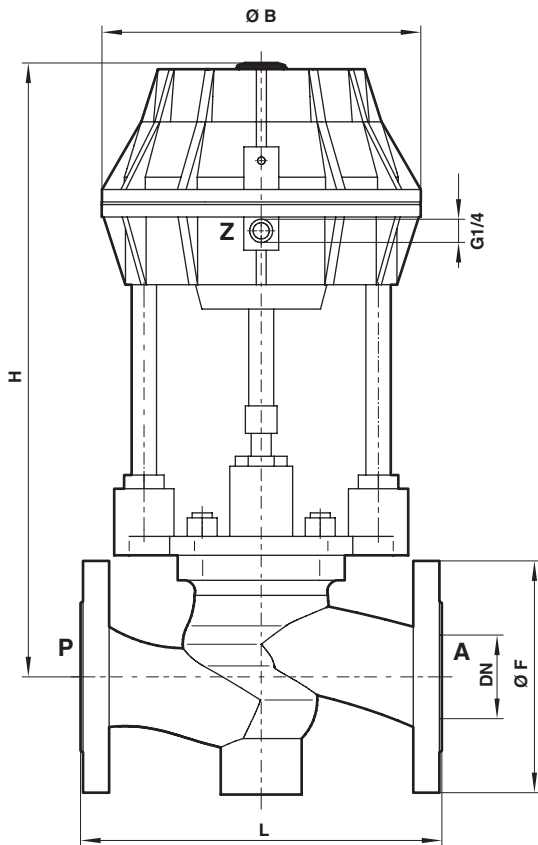
DN 32 ... 100
Actuator 2

Dimensions in mm
Projection/first angle



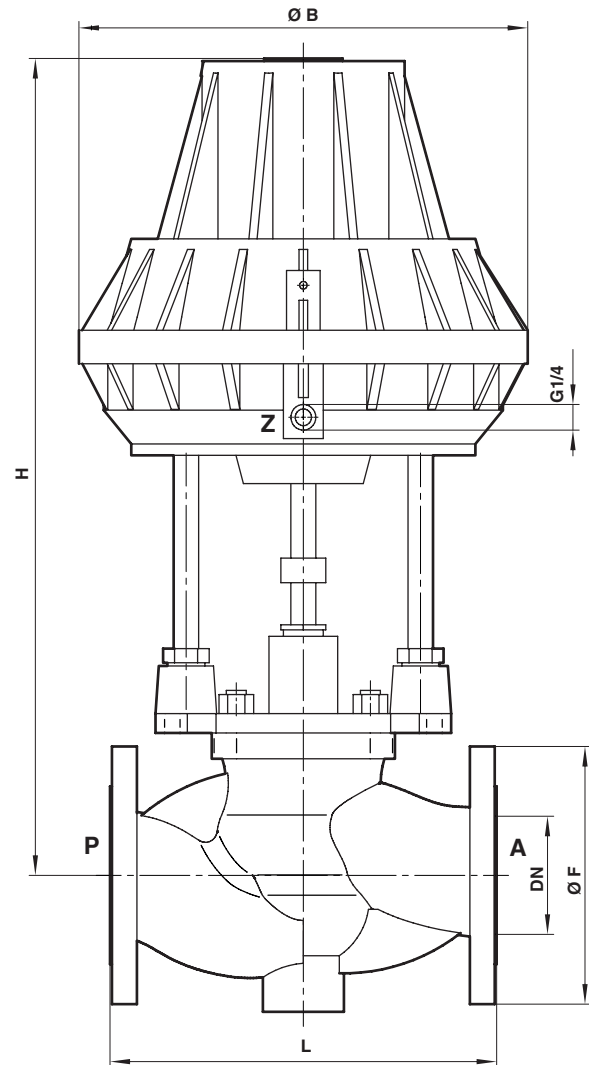
Orifice (mm)	ø B	ø F	H	L	Model
Actuator 1					
15	96	95	201	130	82212xx.0000.00000
20	96	105	208	150	82213xx.0000.00000
25	96	115	219	160	82214xx.0000.00000
Actuator 2					
32	164	140	299	180	82215xx.0000.00000
40	164	150	310	200	82216xx.0000.00000
50	164	165	318	230	82217xx.0000.00000
65	164	185	346	290	82218xx.0000.00000
80	164	200	361	310	82219xx.0000.00000
100	164	220	382	350	82220xx.0000.00000

Dimensions
DN 50 ... 100
Actuator 3



Dimensions in mm
Projection/first angle

DN 50 ... 100
Actuator 4



Orifice (mm)	Ø B	Ø F	H	L	Model
Actuator 3					
50	256	165	467	230	82217xx.0000.00000
65	256	185	484	290	82218xx.0000.00000
80	256	200	496	310	82219xx.0000.00000
100	256	220	517	350	82220xx.0000.00000
Actuator 4					
50	360	165	603	230	82217xx.0000.00000
65	360	185	620	290	82218xx.0000.00000
80	360	200	632	310	82219xx.0000.00000
100	360	220	653	350	82220xx.0000.00000

Note to Pressure Equipment Directive (PED):

The valves of this series up to and including DN 25 (G1) are according to Art. 4 § 3 of the Pressure Equipment Directive (PED) 2014/68/EU. This means interpretation and production are in accordance to engineers practice wellknown in the member countries. The CE-sign at the valve does not refer to the PED. Thus the declaration of conformity is not longer applicable for this directive.

For valves > DN 25 (G1) Art. 4 § (1) Letter d) applies:

The basic requirements of the Enclosure I of the PED must be fulfilled. The CE-sign at the valve includes the PED. A certificate of conformity of this directive will be available on request.

Note to Electromagnetic Compatibility Guideline (EEC):

The valves shall be provided with an electrical circuit which ensures the limits of the harmonised standards EN 61000-6-3 and EN 61000-6-1 are observed, and hence the requirements of the Electromagnetic Compatibility Guideline (2014/30/EU) satisfied.

Note to EAC marking:

The EAC-marked products comply with the applicable requirements stated in the technical regulations of the Eurasian Economic Union.