

82710/82750 2/2-way diaphragm valves

- Port size:
DN 8 ... 12, 1/4 ... 1/2
(ISO G/NPT)
- Spindle seal with diaphragm
- Suitable for contaminated process fluids
- Optical position indicator is standard
- International approvals



Technical features

Medium:
Neutral gases and liquids

Flow direction:
Optional

Fluid temperature:
–10° ... +90°C (+14° ... +194°F)

Material:
Process fluid characteristics:
Body: Brass
Seat seal: Fabric reinforced NBR diaphragm
Pilot fluid characteristics:
Body: Brass, PPO (cover)
Seat seal: Fabric reinforced NBR diaphragm

Pilot fluid:
Air, water, hydraulic oil
max. +90°C (+194°F)

Port size:
G1/4, G3/8, G1/2, 1/4 NPT,
3/8 NPT, 1/2 NPT

Ambient temperature:
–10° ... +50°C (+14° ... +122°F)

Switching function:
Normally closed

Pilot connection:
G1/8 res. 1/8 NPT

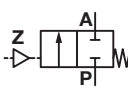
Operation:
Pressure actuated by external fluid

Operating pressure:
–0,9 ... 6 bar (–13,05 ... 87 psi)

Mounting position:
Optional

Differential pressure:
3 ... 8 bar (43,5 ... 116 psi)

Technical data – standard models

Symbol	Port size	Orifice (mm)	Flow kv value *1) (m³/h)	Operating pressure *2) (bar) (psi)		Differential pressure *3) (bar)	Weight (kg)	Model *3)
	G1/4	8	1,9	–0,9 ... 6	–13 ... 87	3 ... 8	0,75	8271000.0000.00000
	1/4 NPT	8	1,9	–0,9 ... 6	–13 ... 87	3 ... 8	0,75	8275000.0000.00000
	G3/8	10	2,4	–0,9 ... 6	–13 ... 87	3 ... 8	0,72	8271100.0000.00000
	3/8 NPT	10	2,4	–0,9 ... 6	–13 ... 87	3 ... 8	0,72	8275100.0000.00000
	G1/2	12	2,9	–0,9 ... 6	–13 ... 87	3 ... 8	0,7	8271200.0000.00000
	1/2 NPT	12	2,9	–0,9 ... 6	–13 ... 87	3 ... 8	0,7	8275200.0000.00000

*1) Cv-value (US) ≈ kv value x 1,2

*2) For gases and liquid fluids up to 80 mm²/s (cSt)

*3) For vacuum inset min. pilot pressure 4 bar

Note: Stainless steel design for number 50, 51, 52

Option selector

827****.0000.00000

Thread form	Substitute
ISO G	1
NPT	5
Port size	Substitute
1/4	0
3/8	1
1/2	2

Valve options	Substitute
Normally open (NO)	01
Seat seal FPM, FPM-fabric-diaphragm, Fluid temperature +110°C	03
Seat seal EPDM, EPDM-fabric-diaphragm	14
Only for connection G3/8 and G1/2: Body: Stainless steel (1.4581) Internal parts: Stainless steel (1.4301), Sandvik 1802	50
Only for connection G3/8 and G1/2: Seat seal FPM, FPM-fabric-diaphragm Body: Stainless steel (1.4581) Internal parts: Stainless steel (1.4301), Sandvik 1802 Fluid temperature +110°C (+230°F)	51
Seat seal FPM, separating diaphragm PTFE-foil with FPM-diaphragm, Body: Stainless steel (1.4581) Internal parts with contact to fluids: Stainless steel (1.4571 and A4) Fluid temperature +110°C (+230°F)	52

Notes

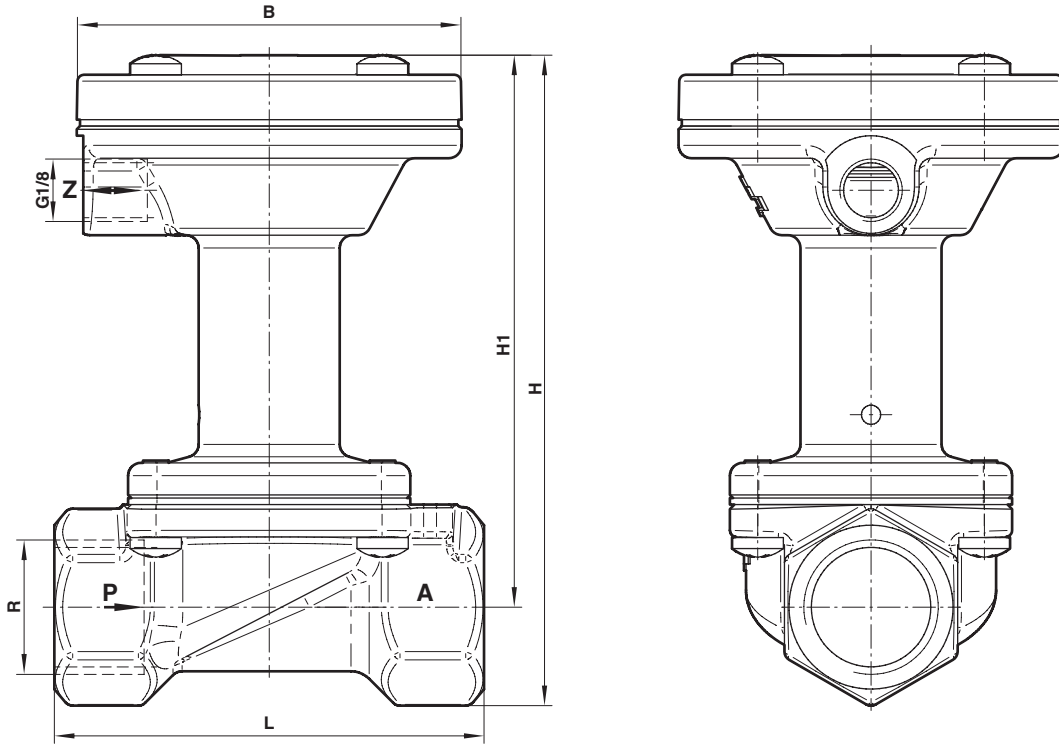
A 3/2 way solenoid pilot valve can be fitted at the pilot connection Z.
These pilot valves are only for air, look at documentation N/en 5.8.640.

Required parts	3/2-way solenoid valve DN 1,6
Model	8466053.910x.xxxxx

Dimensions

G1/4 ... 1/2
1/4 ... 1/2 NPT

Dimensions in mm
Projection/first angle



Port size R	B	H	H1	L	Model
G1/4	60	101	86	67	8271000.0000.00000
1/4 NPT	60	101	86	67	8275000.0000.00000
G3/8	60	101	86	67	8271100.0000.00000
3/8 NPT	60	101	86	67	8275100.0000.00000
G1/2	60	101	86	67	8271200.0000.00000
1/2 NPT	60	101	86	67	8275200.0000.00000

Note to Pressure Equipment Directive (PED):

The valves of this series are according to Art. 4 § 3 of the Pressure Equipment Directive (PED) 2014/68/EU. This means interpretation and production are in accordance to engineers practice well-known in the member countries.

A certificate of conformity is not designated.